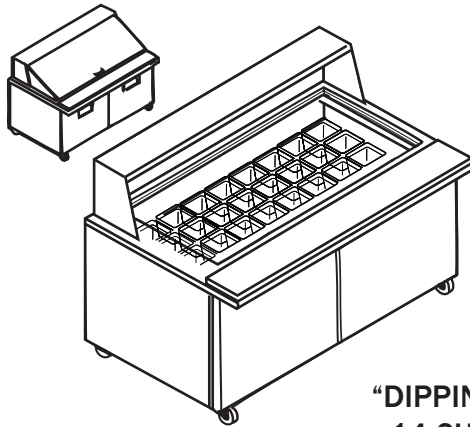


REFRIGERATORS AND FREEZERS

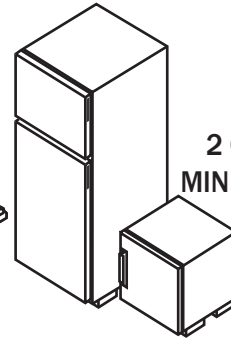
WE CAN DELIVER A SOLUTION FOR MANY SHORT TERM REFRIGERATION NEEDS

- ADA ACCESS RAMPS
- ART SHOW EQUIPMENT
- AUDIO VISUAL BASICS
- BBQ EQUIPMENT
- FOLDING BEDS & CRIBS
- BEVERAGE EQUIPMENT
- CATERING EQUIPMENT
- CHAIRS AND TABLES
- CONCESSION EQUIP.
- COTTON CANDY
- CROWD BARRICADES
- CURTAINS (PORTABLE)
- EVENT LIGHT & SOUND
- FANS (ALL TYPES)
- FOOD SERVICE EQUIP.
- GYM FLOOR COVERS
- LADDERS
- MATERIAL HANDLING
- PERFORMANCE STAGES
- PIPE AND DRAPE
- POPCORN MAKERS
- KID'S FUN JUMPS
- REFRIGERATION
- "STANCHIONS" POSTS
- TABLES AND CHAIRS
- TENTS AND CANOPIES
- WEDDING NEEDS

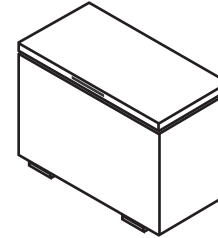
SANDWICH ASSEMBLY LINE
STAINLESS STEEL *HOOD AVAILABLE



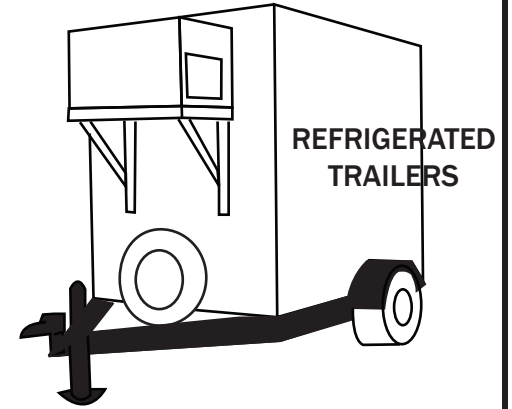
16 CU. FT. RESIDENTIAL
FRIDGE / FREEZER



SIMPLE STORAGE
CHEST FREEZERS
14 CU. FT.

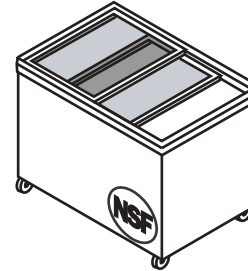


2 CU. FT.
MINI FRIDGE

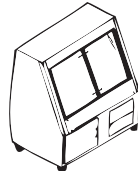


REFRIGERATED
TRAILERS

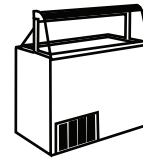
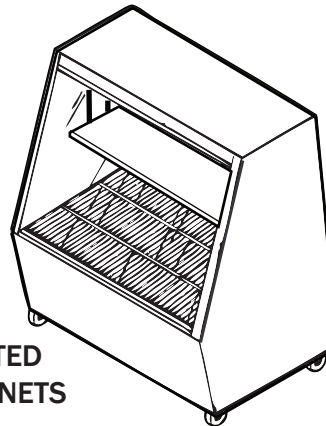
"DIPPING CABINETS"
14 CU.FT. SLIDING
GLASS TOP FREEZERS



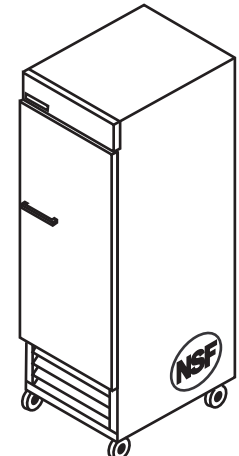
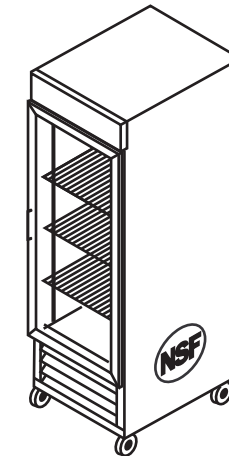
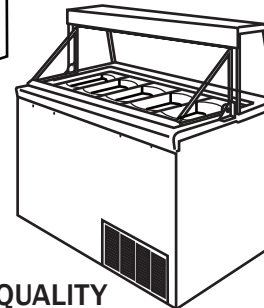
UPRIGHT COMMERCIAL UNITS
23 CU.FT. GLASS FRONT REFRIGERATOR
& 23 CU. FT. STAINLESS STEEL
FREEZER AND REFRIGERATOR
26" WIDE, 30" DEEP, 6'8" TALL



REFRIGERATED
DISPLAY CABINETS



SHOW QUALITY
FROZEN TREAT CASE



* ALL SIZES ARE APPROXIMATE, CALL FOR DETAILS

DELIVERY AVAILABLE
TO CHICAGO AND
ALL SUBURBS



AAA Rental System

Established 1927

Notes:

aaarental.com 708/210-1200 800/427-9529
help@aaarental.com 312/666-2100 Fax: 210-1267

To:
From:

Fax Date:
Page: of